

FOR IMMEDIATE RELEASE

Press Contact: Gary Besonen
763.488.6616 Timesavers Inc.
11123 89th Ave N.
Maple Grove, MN 55369
gbesonen@timesaversinc.com



“Random Air Motion Blow-Off”

Maple Grove, MN -Introducing Timesavers new "Random Air Motion Blow-Off" device. A finalist in the 2008 International Woodworking Fair's Challenger Award Competition, this device is the only new part cleaning system in the industry to have a truly "Random" motion.

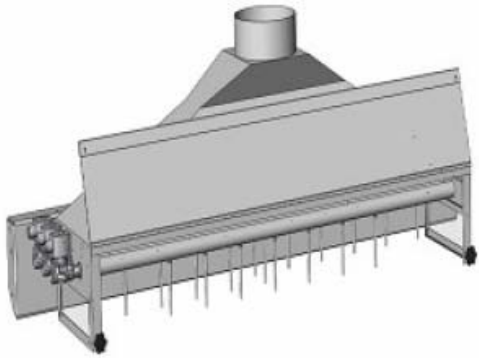
This revolutionary product was developed to create efficiency and solve the long-term issue of dust particles. Many devices have been introduced to deal with this problem, but came up short because of their limited reach or the limited "pattern" of the air or brushes. Dust particles on parts from sanding has been an on-going problem, especially on furniture and cabinet doors where the dust would become trapped in recessed corners and in the cracks around the edges of the stile and rails. This dust created problems during the finishing process so it had to be removed.

The system uses small diameter rubber tubes backed by compressed air; which fly around similar to a fire hose under pressure that is not being held. Because of the random action and the focused high pressure air, particles in recesses and crevices are lofted into the air, which are then removed via the integrated dust hood system.

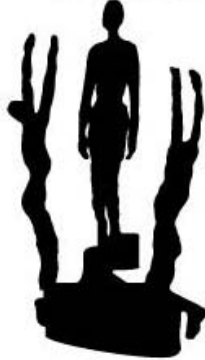
The new device is compiled of three parts, compressed air being blown through small flexible rubber tubes, an extended vacuum bed platen and a complete enclosure with an engineered dust hood that is connected to the plants central dust collection system.

Timesavers new Random Air Motion Blow-Off is simple, efficient, uses few parts, reduces labor and improves the air quality in the plant.

See Timesavers new "Random Air Motion Blow-Off in person at IWF in booth # 5713.



**2008
CHALLENGERS**



FINALIST